



Sink - IMO

Single-lever lavatory mixer with drain - polished chrome

Article number: 33 500 670-00 0010

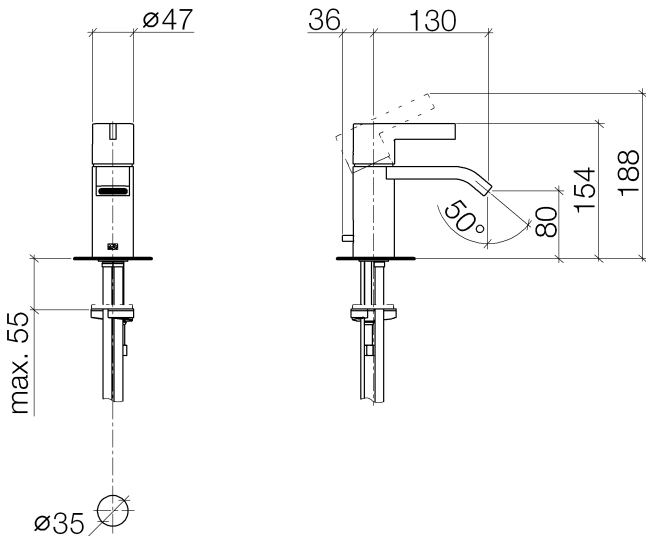
- 5-1/8" Projection
- US drain with overflow
- Rigid spout
- Rectangular aerated stream
- Total height 6-1/8"
- Height to aerator/spout outlet 3-1/8"
- 1-3/8" hole diameter
- 2x 3/8" US flexible supply lines
- Water flow rate limited to max. 1.2 gpm
- lead-free
- Suitable only for basins with overflow.
- (ADA)



polished chrome



Dimensional drawing





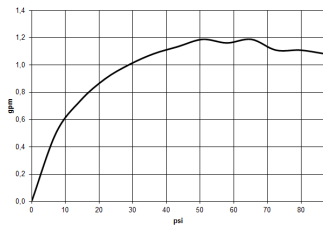
Sink - IMO

Single-lever lavatory mixer with drain - polished chrome

Article number: 33 500 670-00 0010

All dimensions in mm / inch = mm x 0,0394

Flow rate chart





Sink - IMO

Single-lever lavatory mixer with drain - polished chrome

Article number: 33 500 670-00 0010

Other surface finishes



platinum matte

33 500 670-06 0010

More custom finish options are available via special production (xTra Service). Please see our finish matrix for availability and pricing or contact a Dornbracht representative.